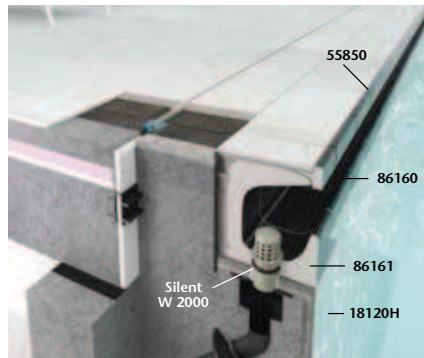


## 2.28 Pool Edge Systems

### System Bamberg

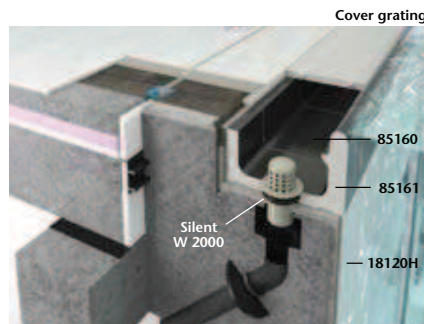
Large overflow channel with handhold-piece, outlet (Ø 75 mm), without cover grating. Suitable for many types of pools: Leisure and adventure pools, thermal baths, open-air swimming pools.



86160 = Overflow channel (page 2.33)  
 86161 = Overflow channel with outlet (Ø 75 mm) (page 2.33)  
 Outlet valve Silent W 2000 (page 2.54)  
 55850 = Pool edging tile (page 2.33)  
 18120H = Chroma Pool-tile (page 2.06)

### System Wiesbaden, elevated water level

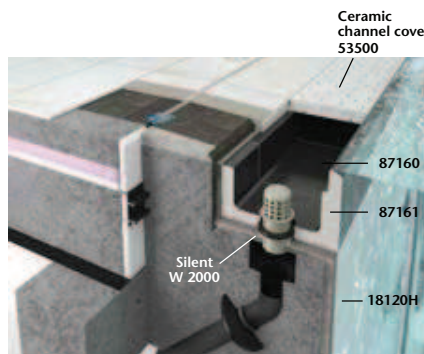
Large overflow channel with handhold-piece, cover grating and outlet valve SILENT W 2000. Suitable for diverse types of pools. Leisure and adventure pools, thermal baths, open-air swimming pools.



85160 = Overflow channel (page 2.38)  
 85161 = Overflow channel with outlet (page 2.38)  
 Outlet valve Silent W 2000 (page 2.54)  
 18120H = Chroma Pool-tile (page 2.06)  
 Cover grating (page 2.55)

### System Wiesbaden Style, elevated water level

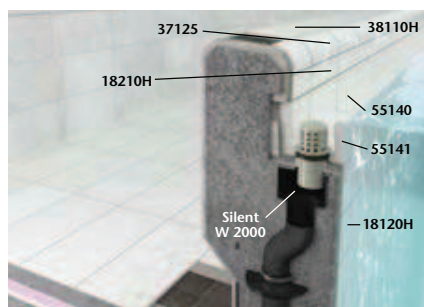
Large overflow channel with handhold-piece, ceramic channel cover and outlet valve SILENT W 2000. Private and hotel pools.



87160 = Overflow channel (page 2.36)  
 87161 = Overflow channel with outlet (page 2.36)  
 Outlet valve Silent W 2000 (page 2.54)  
 53500 = Ceramic channel cover (page 2.35)  
 18120H = Chroma Pool-tile (page 2.06)

### System Wiesbaden, therapy pools

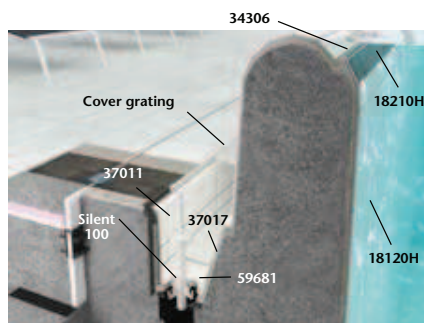
Small overflow channel (without cover grating) with outlet valve SILENT W 2000. For therapy pools.



55140 = Overflow channel (page 2.39)  
 55141 = Overflow channel with outlet (page 2.39)  
 Outlet valve Silent W 2000 (page 2.54)  
 18210H = Chroma Pool-tile (page 2.06)  
 18210H = Chroma Pool strip tile (page 2.06)  
 38110H = Chroma Pool non-slip (page 2.12)  
 37125 = Profiled edging (page 2.24)

### System St. Moritz

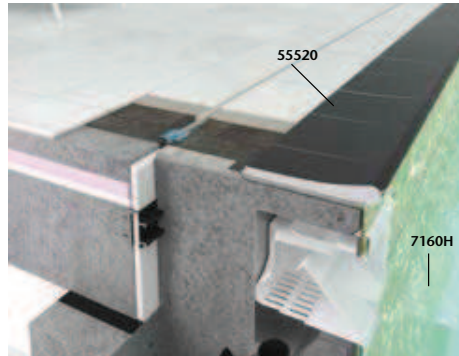
Elevated pool edge system with handhold-piece; overflow via the outside walls into a channel with cover grating. This system permits a lower foundation depth and can be used for diverse types of pools. Leisure and adventure pools, private and hotel pools.



34306 = Safety strip tile (page 2.50)  
 37011 = Shank-tile (page 2.52)  
 37017 = Inclined shank-tile (page 2.52)  
 59681 = Covered gutter tile with outlet (page 2.53)  
 Outlet valve Silent 100 (page 2.54)  
 Cover grating (page 2.55)  
 18120H = Chroma Pool-tile (page 2.06)  
 18210H = Chroma Pool strip tile (page 2.06)

### System Skimmer

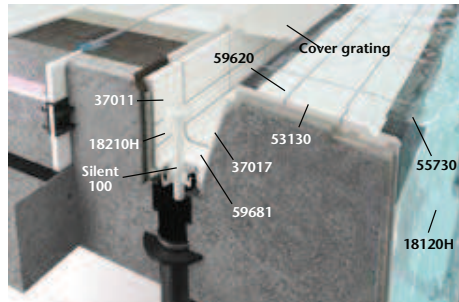
with pool edging tile Residence.  
Private pools



7160H = Plural mixed mosaics (page 1.36)  
55520 = Pool edging tile Residence (page 2.41)

### System Finland

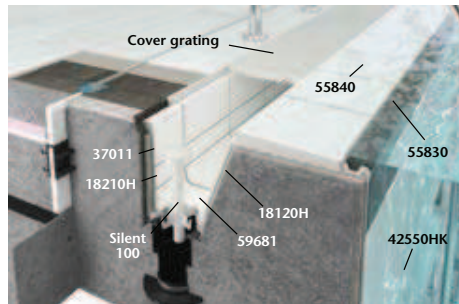
Sloping, beach-like pool edge with handhold-piece; covered channel with covered gutter tile and outlet valve SILENT 100. Especially suitable for sports and competition pools. Leisure and adventure pools, open-air swimming pools.



55730 = Handhold-piece (page 2.43)  
53130 = Grooved Tile (page 2.48)  
59620 = Grooved Tile rounded (page 2.49)  
37017 = Inclined shank-tile (page 2.52)  
37011 = Shank-tile (page 2.52)  
18120H = Chroma Pool-tile (page 2.06)  
18210H = Chroma Pool-strip tile (page 2.06)  
59681 = Covered gutter tile with outlet (page 2.53)  
Outlet valve Silent 100 (page 2.54)  
Cover grating (page 2.55)

### System Finland II

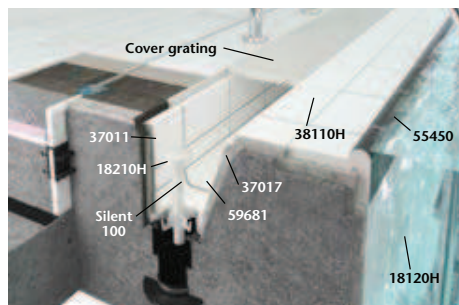
Sloping, beach-like pool edge with handhold-piece and inclined grooved tile; covered channel with covered gutter tile and outlet valve SILENT 100. Especially suitable for sports and competition pools. Leisure and adventure pools, open-air swimming pools.



55830 = Handhold-piece (page 2.43)  
55840 = Inclined grooved tile (page 2.42)  
18120H = Chroma Pool-tile (page 2.06)  
37011 = Shank-tile (page 2.52)  
18210H = Chroma Pool-strip tile (page 2.06)  
59681 = Covered gutter tile with outlet (page 2.53)  
Outlet valve Silent 100 (page 2.54)  
Cover grating (page 2.55)  
42550HK = Chroma Pool-tile (page 2.06)

### System Zürich

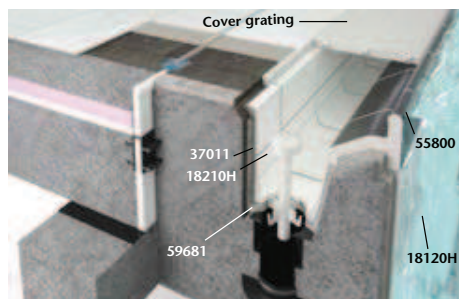
Elevated overflow edge as an ideal handhold; covered channel with covered gutter tile and outlet valve SILENT 100. For public pools. Leisure and adventure pools.



55450 = Pool edging tile (page 2.40)  
38110H = Chroma Pool non-slip (page 2.12)  
37017 = Inclined shank-tile (page 2.52)  
37011 = Shank-tile (page 2.52)  
18210H = Chroma Pool-strip tile (page 2.06)  
59681 = Covered gutter tile with outlet (page 2.53)  
Outlet valve Silent 100 (page 2.54)  
Cover grating (page 2.55)  
18120H = Chroma Pool-tile (page 2.06)

### System Berlin

Elevated overflow edge as an ideal handhold; covered channel with "smooth" water inflow. For public pools and renovations. Leisure and adventure pools.



55800 = Pool edging tile (page 2.41)  
37011 = Shank-tile (page 2.52)  
18210H = Chroma Pool-strip tile (page 2.06)  
59681 = Covered gutter tile with outlet (page 2.53)  
Outlet valve Silent 100 (page 2.54)  
Cover grating (page 2.55)  
18120H = Chroma Pool-tile (page 2.06)